

**SECTION NO.:** 86010000  
**FM No.(s):** 429575-2-52-01  
**AGENCY:** CITY OF HALLANDALE BEACH  
**S.R. No.:** SR-5 / US-1

**FLORIDA DEPARTMENT OF TRANSPORTATION - DISTRICT FOUR  
 MAINTENANCE MEMORANDUM OF AGREEMENT (MMA)**

**THIS AGREEMENT**, made and entered into this date \_\_\_\_\_, by and between the **STATE OF FLORIDA DEPARTMENT OF TRANSPORTATION**, a component agency of the State of Florida, hereinafter called the **DEPARTMENT** and **City of Hallandale Beach**, a political subdivision existing under the Laws of Florida, hereinafter called the **AGENCY**.

**WITNESSETH:**

**WHEREAS**, the **DEPARTMENT** has jurisdiction over State Road 5 / US-1; and

**WHEREAS**, the **DEPARTMENT** seeks to install and have maintained by the **AGENCY** certain bus shelters and associated improvements; and

**WHEREAS**, as part of the continual updating of the State of Florida Highway System, the **DEPARTMENT**, for the purpose of safety, protection of the investment and other reasons, has constructed and does maintain State Road 5 / US-1 ; and; (within the limits of the **AGENCY**); and

**WHEREAS**, it is the intent of the **AGENCY** and the **DEPARTMENT** that the **AGENCY** shall own and maintain the specific elements constructed under **Project Number 429575-2-52-01** to include, but not be limited to, concrete shelter pad, solar powered color coated bus shelter structure and associated amenities, color coated bus benches and wind wall; hereinafter called, **IMPROVEMENTS** along State Road 5 / US-1, beginning from north of SE 9th Street at SR 5 Mile Post (M.P.) 0.169 to just north of NE 1st Street at SR 5 M.P. 0.843; and

**WHEREAS**, the **AGENCY** shall be responsible for the concrete shelter pad as described within **Exhibit A (Maintenance Areas by AGENCY)**; and

**WHEREAS**, the Project involves the scope of work as described within **Exhibit B (Project Location and Description)** and **Exhibit C (Construction Plans)** which will benefit the **AGENCY**; and

**WHEREAS**, the parties hereto mutually recognize the need for entering into an Agreement designation and setting forth the responsibilities of each party; and

**WHEREAS**, the **AGENCY** by Resolution No. \_\_\_\_\_ dated \_\_\_\_\_ attached hereto and by this reference made a part hereof, desires to enter into this **AGREEMENT** and authorizes its officers to do so;

**NOW THEREFORE**, for and in consideration of the mutual benefits to flow each to the other, the parties covenant and agree as follows:

**1. RECITALS**

The recitals set forth above are true and correct and are deemed incorporated herein.

SECTION NO.: 86010000  
FM No.(s): 429575-2-52-01  
AGENCY: CITY OF HALLANDALE BEACH  
S.R. No.: SR-5 / US-1

## 2. INSTALLATION OF FACILITIES

- A. The **DEPARTMENT** has issued **Project Number 429575-2-52-01** to construct the **IMPROVEMENTS** as detailed in **Exhibit B (Construction Plans)** and **Exhibit D (Product Details and Specifications)** along State Road 5 / US-1, which will benefit the **AGENCY**. The **IMPROVEMENTS** shall comply with the laws and regulations relating to the Americans with Disabilities Act of 1990, as currently enacted or as may be amended from time to time ("ADA"). The attached Construction Plans (**Exhibit B**) shall be updated to meet the requirements of the Building Code. Said Plans shall be provided to the **AGENCY** and shall become part of this Agreement. If there are any major changes to the plan(s), the **DEPARTMENT** shall provide the modified plan(s) to the **AGENCY** and the **AGENCY** shall provide their approval or disapproval to the **DEPARTMENT** within ten (10) business days. The **DEPARTMENT** may elect to withdraw the **IMPROVEMENTS** if changes are not approved within the given time frame.
- B. The **AGENCY** shall be invited to assist the **DEPARTMENT** in final inspection before acceptance of the job by the **DEPARTMENT**.
- C. The **AGENCY** shall own and maintain the **IMPROVEMENTS** associated within the limits of the project.

## 3. MAINTENANCE OF FACILITIES

- A. The **AGENCY** agrees to maintain the **IMPROVEMENTS** to be installed under **Project Number 429575-2-52-01** within the limits of construction. Maintenance by the **AGENCY** will include repair, restoration, and general maintenance of all **IMPROVEMENTS** within the limits of the project. This includes **Project Number 429575-2-52-01** to include the **IMPROVEMENTS** as described in **Exhibit A (Project Location and Description)**.
- 1) The **AGENCY** agrees to maintain, at its sole cost and expense, the **IMPROVEMENTS** set forth in **Exhibit A** in compliance with any and all applicable laws which shall include, but not be limited to, laws and regulations relating to the Americans with Disabilities Act ("ADA") of 1990, as currently enacted or as may be amended from time to time.
  - 2) The **IMPROVEMENTS** shall be kept clean and free from trash and debris. The **IMPROVEMENTS** shall be kept free of graffiti. The **IMPROVEMENTS** shall be free of pests such as stinging insects, rodents and vermin, including removal of nests as needed.
  - 3) As part of the maintenance responsibility, the **AGENCY** shall keep in good repair and replace, defective or worn out parts of the **IMPROVEMENTS**. The **AGENCY's** responsibility to keep the **IMPROVEMENTS** in good repair shall include all necessary maintenance, repair and replacement of any type or nature, including, but not limited to, maintenance, repair and replacement due to normal wear and tear, named storm event, acts of God, vandalism and accidents. The **AGENCY** shall take all necessary steps to maintain the **IMPROVEMENTS** in a manner to protect against injury to any person or property.

**SECTION NO.:** 86010000  
**FM No.(s):** 429575-2-52-01  
**AGENCY:** CITY OF HALLANDALE BEACH  
**S.R. No.:** SR-5 / US-1

- 4) The above named functions to be performed by the **AGENCY** may be subject to periodic inspections by the **DEPARTMENT** at the discretion of the **DEPARTMENT**. Such inspection findings will be shared with the **AGENCY** and shall be the basis of all decisions regarding, reworking relating to the maintenance obligation / function or **AGREEMENT** termination.
  - 5) The **AGENCY** shall be solely responsible for any damages to surrounding property, real estate, vehicles, pedestrians, or other assets occurring as a result of maintenance and operation of the **IMPROVEMENTS** and shall repair such damage to the satisfaction of the **DEPARTMENT** at no expense to the **DEPARTMENT**, as per the requirements in **Exhibit E (Maintenance Plan Requirements)**.
- B. The **AGENCY** shall indemnify the **DEPARTMENT** for any and all costs or expenses incurred by the **DEPARTMENT** for the **AGENCY's** failure to comply with all ADA Laws existing and as may be amended. Costs and expenses shall include the costs to make the facility ADA compliant, Attorney's fees and costs and any judgments. Adjacent sidewalk areas shall be accessible at all times. If sidewalk closures are needed, alternate routes shall be clearly identified and missing sidewalk shall be restored either with permanent or temporary materials at the end of each work day.
- C. All **IMPROVEMENTS** shall at all times have a notification sign posted with the name and phone number of the department within the **AGENCY** responsible for maintenance of the **IMPROVEMENTS** so that members of the public may contact **AGENCY** regarding problems with the **IMPROVEMENTS**. The **AGENCY** shall promptly respond and correct all complaints regarding maintenance. The **IMPROVEMENTS** to be constructed with this project shall not contain advertising. Nor shall advertising be placed upon them by any party in the future.
- D. It is understood and agreed by the parties that upon "final acceptance" (as that term is described in the Standard Specifications for Roadway and Bridge Construction, as amended by contract documents section 5-11) by the **DEPARTMENT** of the Project and Notice thereof to the **AGENCY**, the **AGENCY** shall be responsible for maintenance of the Project in accordance with the following Federally and State accepted standards (current editions at the time of execution of this **AGREEMENT** and any amendments hereafter) and all costs related thereto: (a) FDOT Plans Preparation Manual (PPM), (b) FDOT Design Manual, (c) Florida Green Book, (d) Standard Specifications for Roadway and Bridge Construction, (e) FDOT Design Standards and (f) Manual on Uniform Traffic Control Devices (MUTCD).
- E. If it becomes necessary to provide utilities (water/electricity) to these improvements, all costs associated with the utilities, accent lighting and/or irrigation systems including, but not limited to the impact and connection fees, and the on-going cost of utility usage for water and electrical, are the maintaining **AGENCY's** responsibility.
- 1) The **AGENCY** shall be directly responsible for impact and connection fees.

AND

- 2) The **AGENCY** shall become responsible for the above named improvements and

**SECTION NO.:** 86010000  
**FM No.(s):** 429575-2-52-01  
**AGENCY:** CITY OF HALLANDALE BEACH  
**S.R. No.:** SR-5 / US-1

ongoing utility costs upon final acceptance of the construction project by the **DEPARTMENT** and thereafter.

- F. Any work impacting traffic flow along State Road 5 / US-1 must be coordinated with the **DEPARTMENT**. Lane closures must be submitted for approval in accordance with **DEPARTMENT** procedures and policies and will meet the goals established in the **DEPARTMENT's** Open Roads Policy.

#### **4. NOTICE OF MAINTENANCE DEFICIENCIES**

- A. If, at any time while the terms of this **AGREEMENT** are in effect, it shall come to the attention of the **DEPARTMENT** that the **AGENCY's** responsibility as established herein or a part thereof is not being properly accomplished pursuant to the terms of this **AGREEMENT**, the **DEPARTMENT** may issue a written notice, that a deficiency or deficiencies exist(s), by sending a certified letter to the **AGENCY**, in care of the CITY OF HALLANDALE BEACH MANAGER, to place the **AGENCY** on notice regarding its maintenance deficiencies. Thereafter, the **AGENCY** shall have a period of sixty (60) days within which to correct the cited deficiency or deficiencies. If said deficiencies are not corrected within the time period, the **DEPARTMENT** may, at its option, proceed under one or more or a combination of the following items:
- 1) The **DEPARTMENT** may repair any item or a number of items. Corrective actions will be performed with the **DEPARTMENT** and/or its independent contractor's materials, equipment and personnel. The actual cost for such work will be charged to the **AGENCY**.
  - 2) The **DEPARTMENT** may remove or replace any item or number of items with the standard **DEPARTMENT** item or similar at the discretion of the **DEPARTMENT**. Corrective actions will be performed with the **DEPARTMENT** and/or its independent contractor's materials, equipment and personnel. The actual cost for such work will be charged to the **AGENCY**.
  - 3) If there is no standard equivalent item or if in the **DEPARTMENT's** discretion the item is not necessary for the operations of the roadway, the **DEPARTMENT** may remove the item in its entirety and restore the area to a condition acceptable to the **DEPARTMENT**. Corrective actions will be performed with the **DEPARTMENT** and/or its independent contractor's materials, equipment and personnel. The actual cost for such work will be charged to the **AGENCY**.
  - 4) At the discretion of the **DEPARTMENT**, terminate the **AGREEMENT** in accordance with Paragraph 7 of this **AGREEMENT** and remove, by the **DEPARTMENT** or its Contractor's personnel, all of the improvements installed under this **AGREEMENT** and charge the **AGENCY** the reasonable cost of such removal.
  - 5) The **AGENCY** shall provide the local FDOT Operation Center located at Broward Operations, 5548 NW 9<sup>th</sup> Avenue, Ft. Lauderdale, FL 33309 (954) 776-4300, a twenty-four (24) hour telephone number and the name of a responsible person that the **DEPARTMENT** may contact. The **AGENCY** shall notify the local maintenance office forty-eight (48) hours prior to the start of maintenance activities and coordinate

**SECTION NO.:** 86010000  
**FM No.(s):** 429575-2-52-01  
**AGENCY:** CITY OF HALLANDALE BEACH  
**S.R. No.:** SR-5 / US-1

scheduled work activities to ensure no conflict with **DEPARTMENT** projects.

## 5. FUTURE DEPARTMENT IMPROVEMENTS

It is understood between the parties hereto that the improvements covered by this **AGREEMENT** may be removed, relocated or adjusted at any time in the future as determined to be necessary by the **DEPARTMENT** in order that the adjacent state road be widened, altered or otherwise changed to meet with future criteria or planning of the **DEPARTMENT**.

## 6. FUTURE AGENCY IMPROVEMENTS

The **AGENCY** may construct additional improvements within the limits of the rights of ways identified as a result of this document, subject to the following conditions:

- 1) Plans for any new improvements or modifications shall be subject to approval by the **DEPARTMENT**. The **AGENCY** shall not change or deviate from said plans without written approval by the **DEPARTMENT**.
- 2) The **AGENCY** shall procure a permit and/ or Construction Agreement from the **DEPARTMENT**, as appropriate.
- 3) All improvements shall be developed and implemented in accordance with appropriate state safety and roadway design standards.
- 4) The **AGENCY** agrees to comply with the requirements of this **AGREEMENT** with regard to any additional improvements installed at no cost to the **DEPARTMENT**.

## 7. AGREEMENT TERMINATION

This **AGREEMENT** may be terminated under any one (1) of the following conditions:

- 1) By the **DEPARTMENT**, if the **AGENCY** fails to perform its duties under this **AGREEMENT**, following ten (10) days written notice. The **AGENCY** shall reimburse the **DEPARTMENT** for any expenditures for the installation of said improvements and the cost to remove and or replace said improvement with the standard improvement or remove in its entirety.
- 2) By the **DEPARTMENT**, for refusal by the **AGENCY** to allow public access to all documents, papers, letters, or other material subject to the provisions of Chapter 119, Florida Statutes, and made or received by the **AGENCY** in conjunction with this **AGREEMENT**.
- 3) By the **DEPARTMENT** with a six (6) month written notice.

## 8. AGREEMENT TERM

The term of this **AGREEMENT** commences upon execution by all parties. The term of this **AGREEMENT** shall remain in effect for Fifty (50) years.

**SECTION NO.:** 86010000  
**FM No.(s):** 429575-2-52-01  
**AGENCY:** CITY OF HALLANDALE BEACH  
**S.R. No.:** SR-5 / US-1

## 9. LIABILITY AND INSURANCE REQUIREMENTS

- A. With respect to any of the **AGENCY's** agents, consultants, sub-consultants, contractors, and/or sub-contractors, such party in any contract for the improvements shall agree to indemnify, defend, save and hold harmless the **DEPARTMENT** from all claims, demands, liabilities, and suits of any nature arising out of, because of or due to any intentional and/or negligent act or occurrence, omission or commission of such agents, consultants, sub consultants, contractors and/or subcontractors. The **AGENCY** shall provide to the **DEPARTMENT** written evidence of the foregoing upon the request of the **DEPARTMENT**. It is specifically understood and agreed that this indemnification clause does not cover or indemnify the **DEPARTMENT** for its own negligence. Nothing contained herein is intended nor shall be construed to waive Agency's rights and immunities under the common law or Section 768.28, Florida Statutes, as amended from time to time.
- B. In the event that **AGENCY** contracts with a third party other than a local agency to provide the services set forth herein, any contract with such third party shall include the following provisions:
- 1) **AGENCY** contractor shall at all times during the term of this **AGREEMENT** keep and maintain in full force and effect, at contractor's sole cost and expense, Comprehensive General Liability with minimum limits of \$1,000,000.00 per occurrence combined single limit for Bodily Injury Liability and Property Damage Liability and Worker's Compensation insurance with minimum limits of \$500,000.00 per Liability. Coverage must be afforded on a form no more restrictive than the latest edition of the Comprehensive General Liability and Worker's Compensation policy without restrictive endorsements, as filed by the Insurance Services Office and shall name the **DEPARTMENT** as an additional insured.
  - 2) **AGENCY's** contractor shall furnish **AGENCY** with Certificates of Insurance of Endorsements evidencing the insurance coverages specified herein prior to the beginning performance of work under this **AGREEMENT**.
  - 3) Coverage is not to cease and is to remain in full force and effect (subject to cancellation notice) until all performance required of **AGENCY's** contractor is completed. All policies must be endorsed to provide the **DEPARTMENT** with at least thirty (30) day notice of cancellation and/or restriction. If any of the insurance coverages will expire prior to the completion of work, copies of renewal policies shall be furnished at least (30) days prior to the date of expiration.

## 10. E-VERIFY REQUIREMENTS

The **AGENCY** shall:

- 1) Utilize the U.S. Department of Homeland Security's E-Verify system to verify the employment eligibility of all new employees hired by the **AGENCY** for the work performed under this **AGREEMENT**; and

**SECTION NO.:** 86010000  
**FM No.(s):** 429575-2-52-01  
**AGENCY:** CITY OF HALLANDALE BEACH  
**S.R. No.:** SR-5 / US-1

- 2) Expressly require any contractors performing work or providing services pursuant to the state contract to likewise utilize the U.S. Department of Homeland Security's E-Verify system to verify the employment eligibility of all new employees hired by the subcontractor during the contract term.

#### **11. ENTIRE AGREEMENT**

This writing embodies the entire Agreement and understanding between the parties hereto and there are no other Agreements and understanding, oral or written, with reference to the subject matter hereof, to wit the **IMPROVEMENTS**, that are not merged herein and superseded hereby.

#### **12. DISPUTES**

The **DEPARTMENT'S** District Secretary shall decide all questions, difficulties and disputes of any nature whatsoever that may arise under or by reason of this Agreement, the prosecution or fulfillment of the service hereunder and the character, quality, amount and value thereof; and his decision upon all claims, questions and disputes shall be final and conclusive upon the parties hereto.

#### **13. ASSIGNMENT**

This **AGREEMENT** may not be assigned or transferred by the **AGENCY** in whole or part without the consent of the **DEPARTMENT**.

#### **14. LAWS GOVERNING**

This **AGREEMENT** shall be governed by and construed in accordance with the laws of the State of Florida. In the event of a conflict between any portion of the contract and Florida law, the laws of Florida shall prevail. The **AGENCY** agrees to waive forum and venue and the **DEPARTMENT** shall determine the forum and venue in which any dispute under this **AGREEMENT** is decided.

#### **15. NOTICES**

Any and all notices given or required under this **AGREEMENT** shall be in writing and either personally delivered with receipt acknowledgement or sent by certified mail, return receipt requested. All notices shall be sent to the following addresses.

If to the **DEPARTMENT**:

State of Florida Department of Transportation  
Attention: District Maintenance Engineer  
3400 West Commercial Blvd  
Ft. Lauderdale, FL 33309-3421

**SECTION NO.:** 86010000  
**FM No.(s):** 429575-2-52-01  
**AGENCY:** CITY OF HALLANDALE BEACH  
**S.R. No.:** SR-5 / US-1

**If to the AGENCY:**

City of Hallandale Beach  
Attention: City Manager  
400 South Federal Highway  
Hallandale Beach, FL 33009

**16. LIST OF EXHIBITS**

- Exhibit A: Maintenance Areas by AGENCY
- Exhibit B: Project Location and Description
- Exhibit C: Construction Plans
- Exhibit D: Product Information and Specifications
- Exhibit E: Maintenance Plan Requirements



**SECTION NO.:** 86010000  
**FM No.(s):** 429575-2-52-01  
**AGENCY:** CITY OF HALLANDALE BEACH  
**S.R. No.:** SR-5 / US-1

**IN WITNESS OF THE FOREGOING,** the parties have set their hands and seals the day and year first above written.

**AGENCY:**

**City of Hallandale Beach**

By: \_\_\_\_\_  
City Manager

Date: \_\_\_\_\_

Attest: \_\_\_\_\_ (SEAL)  
Clerk

Legal Approval

\_\_\_\_\_  
Attorney

\_\_\_\_\_  
Date

**SECTION NO.:** 86010000  
**FM No.(s):** 429575-2-52-01  
**AGENCY:** CITY OF HALLANDALE BEACH  
**S.R. No.:** SR-5 / US-1

**IN WITNESS OF THE FOREGOING**, the parties have set their hands and seals the day and year first above written.

**DEPARTMENT:**

**ATTEST:**

STATE OF FLORIDA  
DEPARTMENT OF TRANSPORTATION

\_\_\_\_\_  
Executive Secretary  
(SEAL)

Sign: \_\_\_\_\_  
Director of Operations

Print Name: \_\_\_\_\_

Date: \_\_\_\_\_

Approval as to Form:

Sign: \_\_\_\_\_  
District General Counsel

Print Name: \_\_\_\_\_

Date: \_\_\_\_\_

SECTION NO.: 86010000  
 FM No.(s): 429575-2-52-01  
 AGENCY: CITY OF HALLANDALE BEACH  
 S.R. No.: SR-5 / US-1

EXHIBIT A

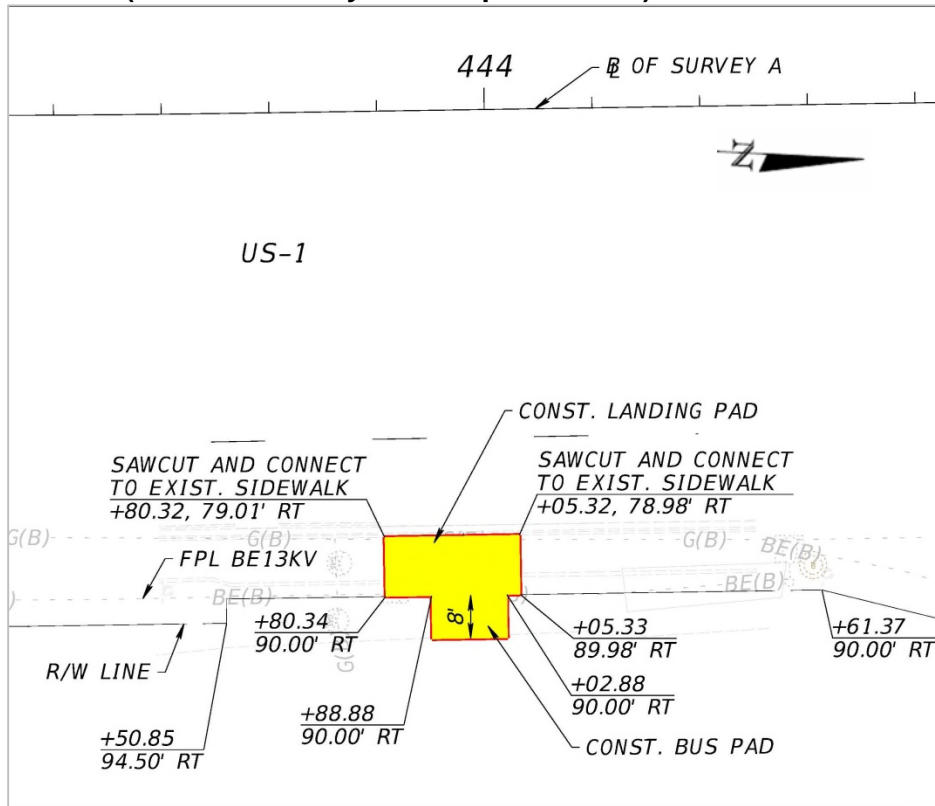
MAINTENANCE AREAS BY AGENCY

Note: Maintenance Areas by **AGENCY** are referenced from the Roadway Construction Plans under **Project Number 429575-2-52-01** approved by the **DEPARTMENT**.



**LEGEND:** Illustrates Maintenance Areas by **AGENCY**

**Location 1 (Broward County Bus Stop I.D. #3354) at SR-5 Mile Post 0.169**



*[The remainder of this page intentionally left blank.]*

SECTION NO.: 86010000  
FM No.(s): 429575-2-52-01  
AGENCY: CITY OF HALLANDALE BEACH  
S.R. No.: SR-5 / US-1

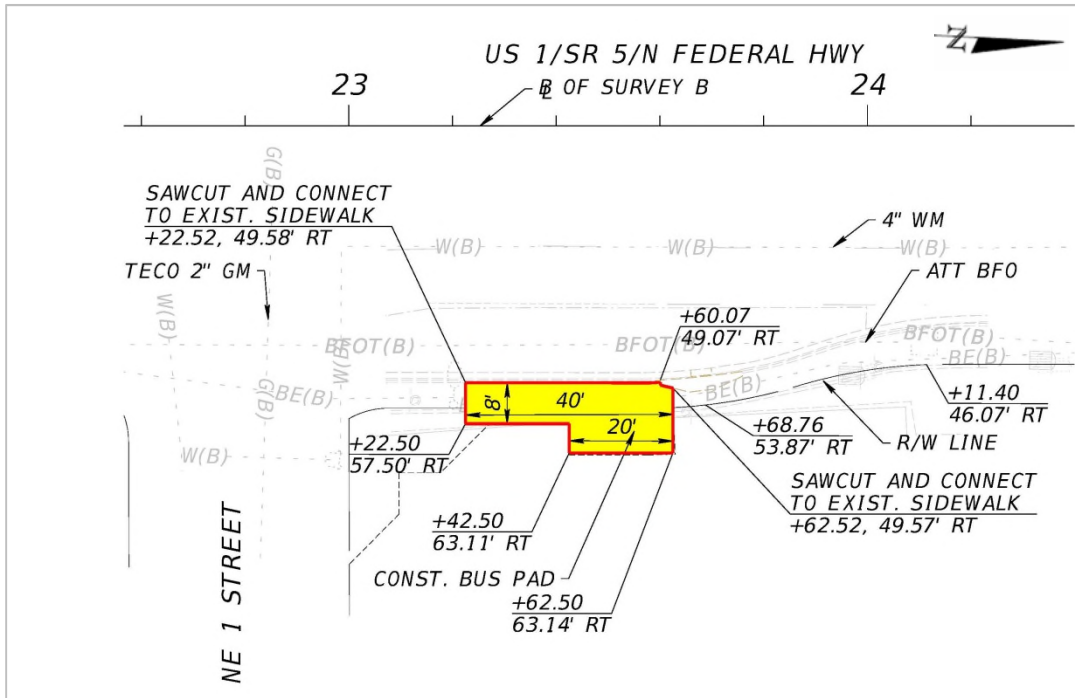
EXHIBIT A (Continued)

MAINTENANCE AREAS BY AGENCY



LEGEND: Illustrates Maintenance Areas by AGENCY

Location 2 (Broward County Bus Stop I.D. #3358) at SR-5 Mile Post 0.843



[The remainder of this page intentionally left blank.]

SECTION NO.: 86010000  
FM No.(s): 429575-2-52-01  
AGENCY: CITY OF HALLANDALE BEACH  
S.R. No.: SR-5 / US-1

**EXHIBIT B**

**PROJECT LOCATION AND DESCRIPTION**

**I. Location:**

The **IMPROVEMENTS** associated with this **AGREEMENT** are within the limits of the City of Hallandale Beach, Florida, along State Road 5 / US-1, beginning from just north of SE 9th Street at SR 5 Mile Post (M.P.) 0.169 to just north of NE 1st Street at SR 5 M.P. 0.843.

**II. Description of Work:**

- **Project Number 4295752--52-01** to include the **IMPROVEMENTS** associated within the limits of this project.

It will be the responsibility of the **AGENCY** to maintain the **IMPROVEMENTS** described in this **AGREEMENT**.

*[The remainder of this page intentionally left blank.]*

**SECTION NO.:** 86010000  
**FM No.(s):** 429575-2-52-01  
**AGENCY:** CITY OF HALLANDALE BEACH  
**S.R. No.:** SR-5 / US-1

**EXHIBIT C**

CONSTRUCTION PLANS

Construction Plans prepared by Caltran Engineering Group dated April 10, 2018, as approved by the **DEPARTMENT**.

Construction Plans (attached)

Sheets Included:

PDF Page Number (#)	Plan Sheet (#)	Sheet(s) Description
17	A001	ECLIPSE TRANSIT SHELTER
18	A001	ECLIPSE BENCH
19	1	KEY SHEET
20	9	GENERAL NOTES
21	10	ROADWAY PLAN
22	11	ROADWAY PLAN
23	SQ-1	SUMMARY OF QUANTITIES
24	SQ-2	SUMMARY OF QUANTITIES
25	SQ-4	SUMMARY OF QUANTITIES
26	SQ-5	SUMMARY OF QUANTITIES
27	SQ-6	SUMMARY OF QUANTITIES
28	SQ-8	SUMMARY OF QUANTITIES
29	SQ-9	SUMMARY OF QUANTITIES

*[The remainder of this page intentionally left blank.]*

SECTION NO.: 86010000  
 FM No.(s): 429575-2-52-01  
 AGENCY: CITY OF HALLANDALE BEACH  
 S.R. No.: SR-5 / US-1

EXHIBIT D

PRODUCT INFORMATION AND SPECIFICATIONS

HALLANDALE BEACH BUS SHELTERS - PRODUCT INFORMATION AND SPECIFICATIONS									
BROWARD COUNTY BUS STOP I.D. #	SR #	SIDE	MILE POST	DESCRIPTION	MODEL	COLOR	MANUFACTURER	PRODUCT DRAWING OR SPECIFICATIONS NUMBER	TRASH RECEPTACLE
3354	SR 5	EAST	0.169	5' Bus Shelter	Eclipse - Arched	Silver	BRASCO International	EC0512-AR-AL-125	NO
3358	SR 5	EAST	0.843	5' Bus Shelter	Eclipse - Arched	Silver	BRASCO International	EC0512-AR-AL-125	NO

SECTION NO.: 86010000  
FM No.(s): 429575-2-52-01  
AGENCY: CITY OF HALLANDALE BEACH  
S.R. No.: SR-5 / US-1

## EXHIBIT E

### MAINTENANCE PLAN REQUIREMENTS

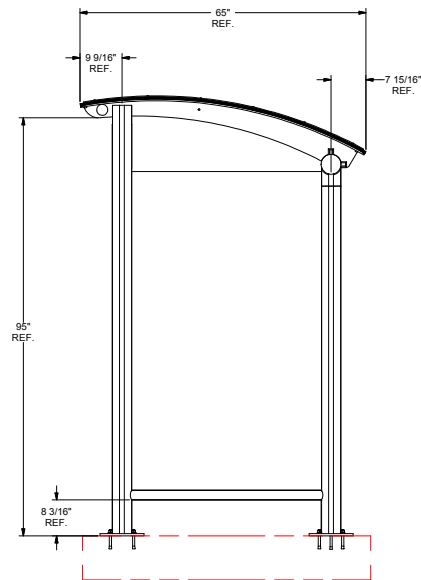
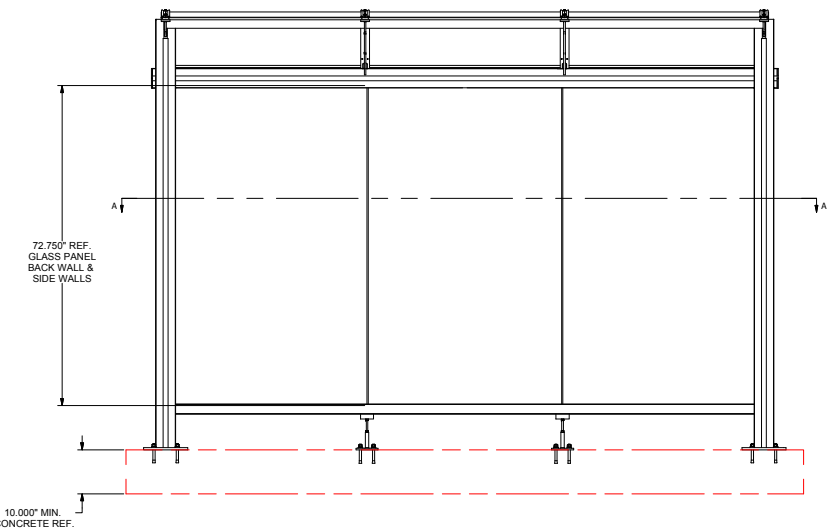
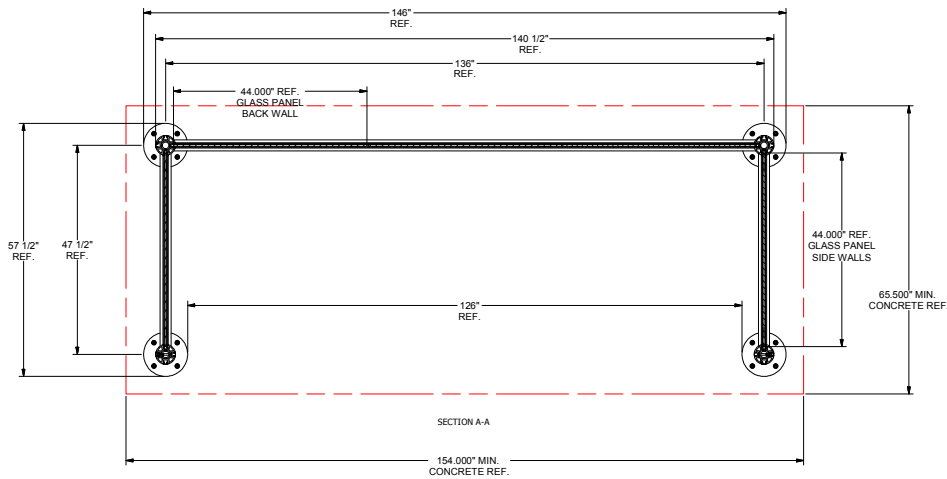
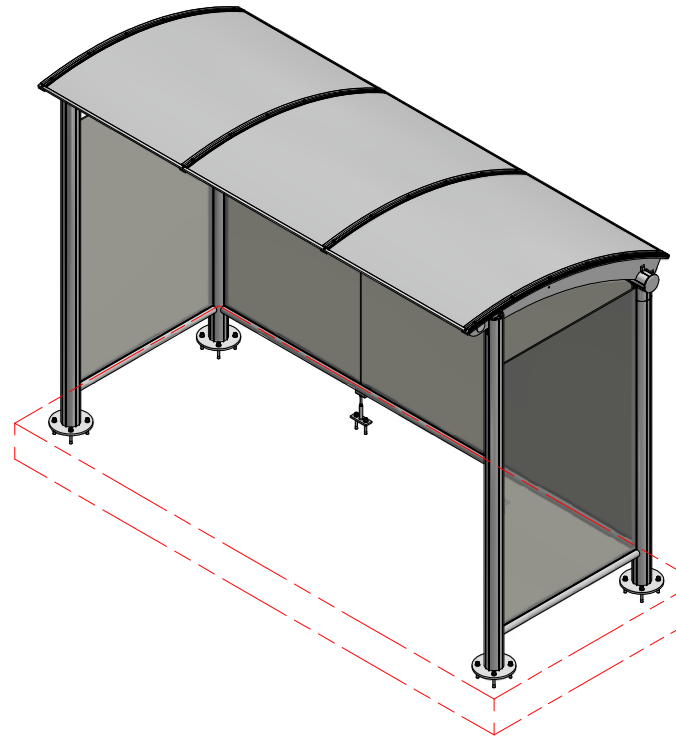
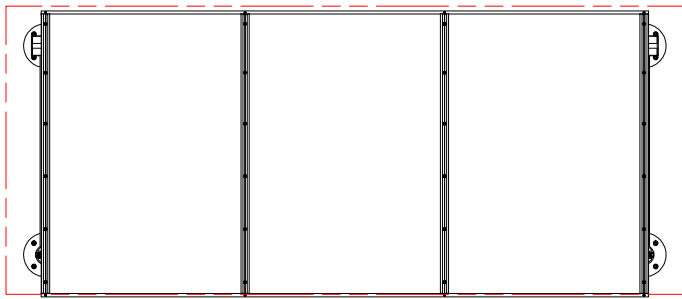
The **AGENCY** shall submit to the **DEPARTMENT** a maintenance plan within the **AGENCY** limits which is described in **Exhibit A**, detailing the means and methods for accomplishing the maintenance related activities in accordance with all **DEPARTMENT** Standards, Procedures and Specifications. This plan shall be submitted and approved by the **DEPARTMENT** prior to commencing any maintenance or repair activities. The **AGENCY** shall comply with the **DEPARTMENT's** applicable Maintenance Rating Program (MRP) Standards. The plan should at minimum detail how the **AGENCY** will address the following:

1. Providing for continuous traffic control and necessary traffic control devices as required for the safe movement of traffic of vehicular and pedestrian traffic past the location of the structure being repaired for the duration of the repair in accordance with **DEPARTMENT** Standards, Procedures and Specifications.
2. Protection of adjacent surrounding property, real estate, vehicles, pedestrians, or other maintenance related activities.
3. Containment of debris or materials used in or resulting from the repair.

After the maintenance plan is approved, the **AGENCY** shall submit a work plan to the **DEPARTMENT** for approval prior to each repair to be performed detailing:

1. The proposed date of the repair
2. The location of the repair
3. The nature of the repair
4. The materials to be used for the repair
5. The methods to be used for the repair





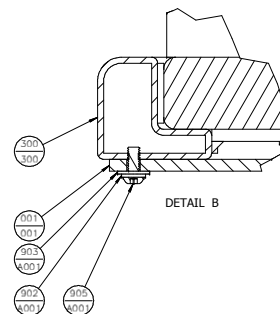
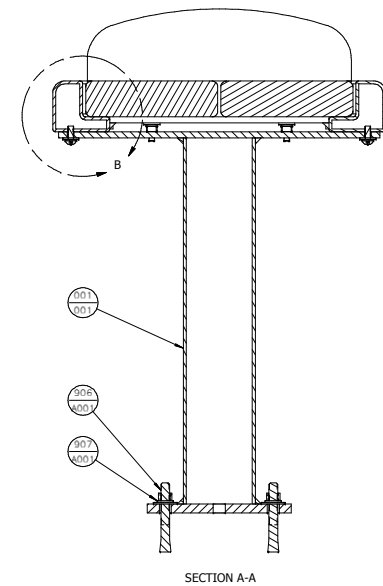
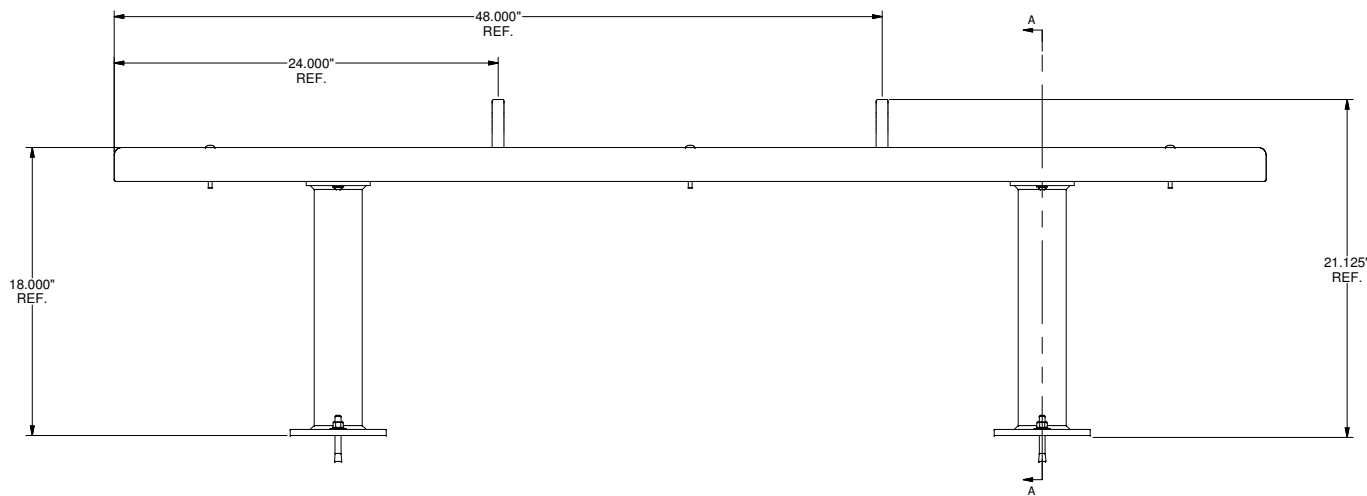
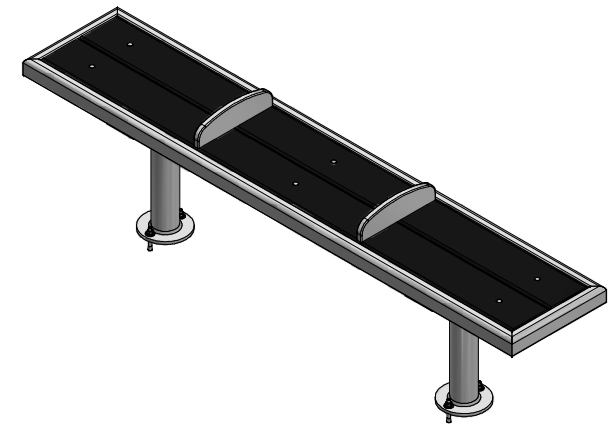
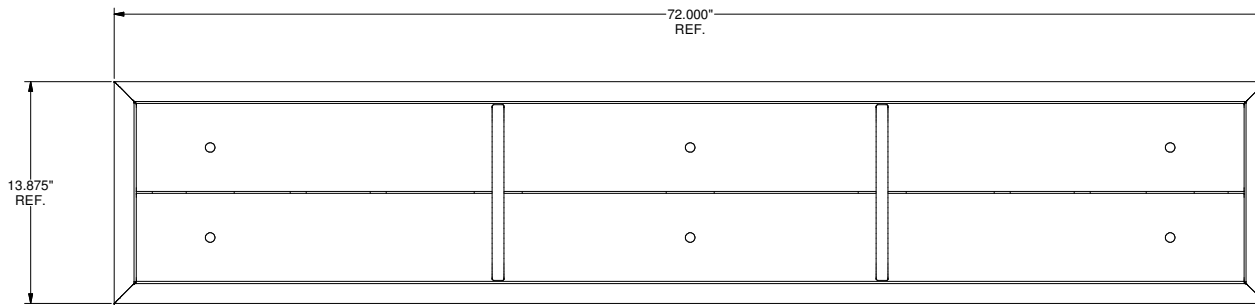
10.000\"/>



BRASCO INTERNATIONAL, INC.  
 32400 INDUSTRIAL DR.  
 MADISON HEIGHTS, MICHIGAN 48071  
 1-800-893-3865 WWW.BRASCO.COM

CUSTOMER:	BRASCO INTERNATIONAL	DESIGNER:	BMB	CHECKER:	NCR
PROJECT:	ECLIPSE TRANSIT SHELTER	DATE:	11/16/16	DATE:	11/16/16
MODEL:	EC0512-AR-AL-125	JOB #	STD.	SHEET:	A001
				REVISION:	A

THIS DRAWING IS PROPRIETARY AND IS FOR THE SOLE USE OF OUR CUSTOMERS AND MAY NOT BE REPRODUCED OR COPIED WITHOUT WRITTEN PERMISSION FROM BRASCO INTERNATIONAL.



XXX ECLIPSE BENCH (EC-BE-6-2S)  
 (SEE BOM) REQ'D - SUB ASSEMBLY  
 SEE PARTS LIST

BRASCO INTERNATIONAL SUB ASSEMBLY PARTS LIST					
ITEM	QTY	SHT	DESCRIPTION	PART NUMBER	NOTES
001	2	001	BENCH LEG WELDMENT (2 SLAT)		SEE DWG.
300	1	300	6" BENCH PRE-ASSEMBLY (2 SLAT)		SEE DWG.
902	4	A001	1/4" S.S. LOCKWASHER	F1055	
903	4	A001	1/4" S.S. FLAT WASHER	F1052	
905	4	A001	1/4-20 X 5/8 S.S. TAMPER RESISTANT SCREW	F1106	
906	4	A001	3/8"-16 x 2 3/4" S.S. WEDGE ANCHOR BOLT	F1021	
907	4	A001	3/8" S.S. LOCK WASHER	F1057	



BRASCO INTERNATIONAL, INC.  
 32400 INDUSTRIAL DR.  
 MADISON HEIGHTS, MICHIGAN 48071  
 1-800-893-3665 WWW.BRASCO.COM

THIS DRAWING IS PROPRIETARY AND IS FOR THE SOLE USE OF  
 OUR CUSTOMERS AND MAY NOT BE REPRODUCED OR COPIED  
 WITHOUT WRITTEN PERMISSION FROM BRASCO INTERNATIONAL.

CUSTOMER:	BRASCO INTERNATIONAL	DESIGNER:	BMB	CHECKER:	NCR
PROJECT:	ECLIPSE BENCH	DATE:	10/14/14	DATE:	10/14/14
MODEL:	EC-BE-6-2S	JPR #	STD.	SHEET:	A001
		REVISION:		REVISION:	A

**CONTRACT PLANS COMPONENTS**

ROADWAY PLANS  
 SIGNALIZATION PLANS  
 LANDSCAPE PLANS

*STATE OF FLORIDA*  
**DEPARTMENT OF TRANSPORTATION**

**CONTRACT PLANS**

**FINANCIAL PROJECT ID 429575-2-52-01**  
**BROWARD COUNTY (86010)**  
**STATE ROAD NO. 5 (US-1)**

**INDEX OF ROADWAY PLANS**

SHEET NO.	SHEET DESCRIPTION
1	KEY SHEET
2	SIGNATURE SHEET
3 - 4	SUMMARY OF PAY ITEMS
5	TYPICAL SECTION
6	TYPICAL SECTION DETAILS
7 - 8	PROJECT LAYOUT
9	GENERAL NOTES
10 - 26	ROADWAY PLAN
27 - 33	TEMPORARY TRAFFIC CONTROL PLANS
SQ-1 - SQ-11	SUMMARY OF QUANTITIES
CTL-1* - CTL-5*	PROJECT CONTROL

\* This sheet is included on the Index of Roadway Plans only to indicate that is part of the Roadway Plans. This sheet is contained in a separate digitally signed and sealed document.

**CONSTRUCTABILITY SUBMITTAL**

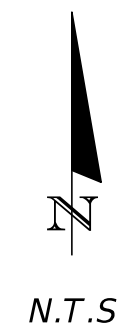
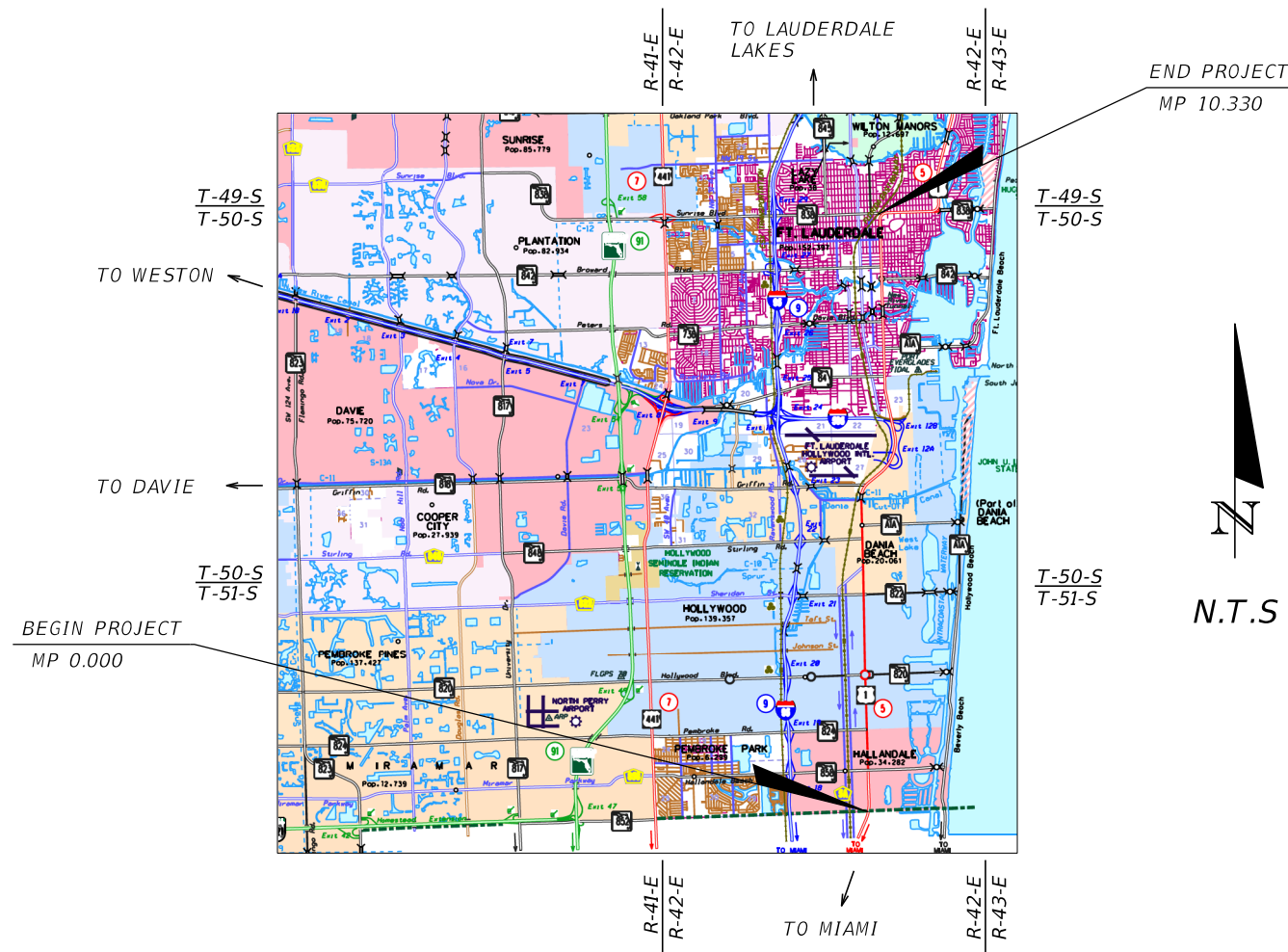
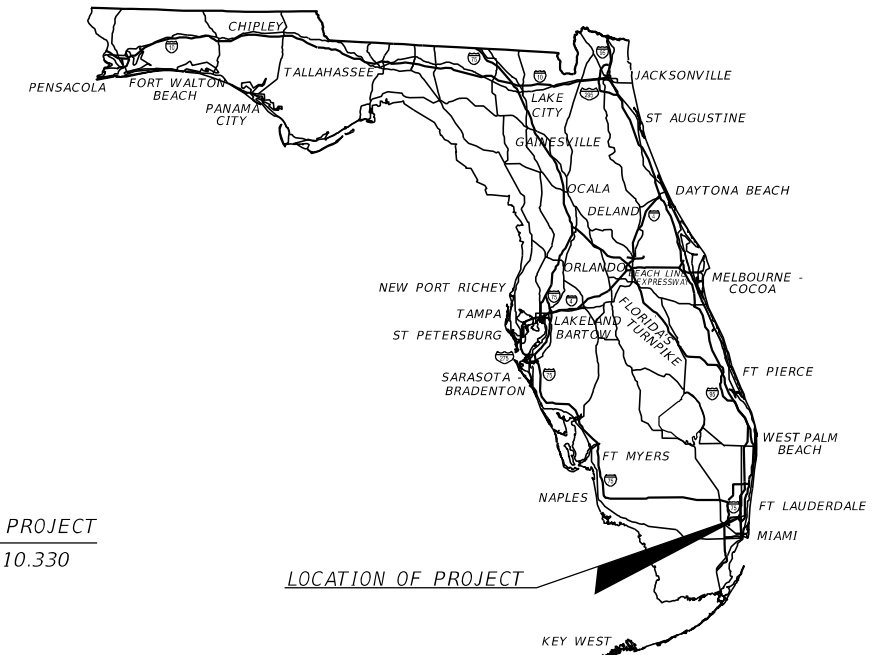
**GOVERNING DESIGN STANDARDS:**

Florida Department of Transportation, FY 2018-19 Standards Plans for Road and Bridge Construction and applicable Interim Revisions (IRs).

Standad Plans for Road Construction and associated IRs are available at the following website: <http://www.fdot.gov/design/standardplans>

**GOVERNING STANDARD SPECIFICATIONS:**

Florida Department of Transportation, July 2018 Standard Specifications for Road and Bridge Construction at the following website: <http://www.fdot.gov/programmanagement/Implemented/SpecBooks>



LOCATION OF PROJECT

**ROADWAY PLANS**  
**ENGINEER OF RECORD:**  
 JEANNELIA LIU, P.E. NO.: 57565  
 CALTRAN ENGINEERING GROUP  
 790 NW 107TH AVE, SUITE 200  
 MIAMI, FLORIDA 33172  
 (786) 456-7700  
 CONTRACT NO.: C-9U24  
 VENDOR NO.: 27-4564005  
 CERTIFICATE OF AUTHORIZATION NO: 29379

**FDOT PROJECT MANAGER:**  
 HELEN JAMES, P.E.

CONSTRUCTION CONTRACT NO.	FISCAL YEAR	SHEET NO.
	19	1

THE OFFICIAL RECORD OF THIS SHEET IS THE ELECTRONIC FILE DIGITALLY SIGNED AND SEALED UNDER RULE 61G15-23.004, F.A.C.

GENERAL NOTES

1. GENERAL:  
BENCHMARK ELEVATIONS SHOWN ON THE PLANS ARE NORTH AMERICAN VERTICAL DATUM OF 1988 (NAVD 88).
2. THE LOCATION(S) OF THE UTILITIES SHOWN IN THE PLANS ARE BASED ON LIMITED INVESTIGATION TECHNIQUES AND SHOULD BE CONSIDERED APPROXIMATE ONLY.
3. CONTRACTOR SHALL OBTAIN GUIDANCE AT PRECONSTRUCTION MEETING WITH RESPECT TO COORDINATION WITH MAINTAINING AGENCIES: BROWARD COUNTY TRANSIT DIVISION (BCT), CITY OF FORT LAUDERDALE, CITY OF HALLANDALE BEACH, CITY OF DANIA BEACH, AND CITY OF HOLLYWOOD FOR TEMPORARY RELOCATION OF BUS STOPS DURING CONSTRUCTION AND SHALL PROVIDE ACCESS TO AND FROM ALL BUS STOP LOCATIONS. ADDITIONALLY, COORDINATION WITH MAINTAINING AGENCIES FOR DELIVERY OF SALVAGEABLE MATERIAL IS REQUIRED.

BROWARD COUNTY TRANSIT DIVISION  
CITY OF DANIA BEACH  
CITY OF FORT LAUDERDALE  
CITY OF HALLANDALE BEACH  
CITY OF HOLLYWOOD

ARETHIA DOUGLAS  
BRAD KAINÉ  
KAREN WARFEL  
ERIC HOUSTON  
CLARISSA IP

(954) 357-8375  
(954) 924-6808  
(954) 828-3798  
(954) 457-2224  
(954) 921-3915

4. UTILITY OWNERS:

COMPANY  
STROME NETWORKS  
ADVANCED CABLE COMMUNICATIONS  
AMERICAN TRAFFIC SOLUTIONS  
AT&T  
AT&T/ DISTRIBUTION  
BROWARD COUNTY PORT EVERGLADES DEPT  
BROWARD COUNTY TRAFFIC ENGINEERING  
BROWARD COUNTY WATER AND WASTEWATER SERVICES  
BUCKEYE PIPELINE CO.  
CENTURYLINK (FORMERLY QWEST COMMUNICATIONS)  
CITY OF DANIA BEACH DRAINAGE  
CITY OF DANIA BEACH SEWER  
CITY OF DANIA BEACH WATER  
CITY OF FT LAUDERDALE  
CITY OF HALLANDALE BEACH  
CITY OF HOLLYWOOD PUBLIC UTILITIES DEPT  
CITY OF HOLLYWOOD, PUBLIC WORKS DEPT  
CITY OF SUNRISE GAS  
CITY OF SUNRISE WATER & WASTEWATER DEPT  
COMCAST CABLE  
CROWN CASTLE  
CROWN CASTLE NG  
DADE COUNTY PUBLIC WORKS AND TRAFFIC  
FDOT/ELAND ENGINEERING  
FIBERLIGHT LLC.  
FLORIDA DEPARTMENT OF TRANSPORTATION  
FLORIDA GAS TRANSMISSION  
FLORIDA POWER & LIGHT--BROWARD  
FLORIDA POWER & LIGHT--DADE  
FPL FIBERNET LLC  
HOTWIRE COMMUNICATIONS  
LEVEL 3 COMMUNICATIONS  
MCI  
MIAMI-DADE WATER & SEWER  
SPRINT NEXTEL  
TECO PEOPLES GAS SOUTH FLORIDA  
TOWN OF DAVIE -UTILITIES DEPT

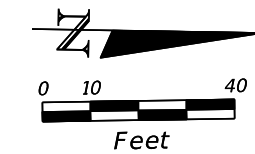
CONTACT  
KRISTIN ZAKY  
DIEGO PEREZ  
SANTIAGO MARTINEZ  
NANCY SPENCE  
OTIS KEEVE  
JOHN FOGLESONG  
ROBERT BLOUNT  
EVA FLORIAN  
DANIEL MANGUM  
GEORGE MCELVAIN  
DOMINIC ORLANDO  
DOMINIC ORLANDO  
DOMINIC ORLANDO  
JON STAHL  
MARIANA PITIRICIU  
GREG JEFFRIES  
GREG JEFFRIES  
ROBERT DUBIN  
PAT KOHLER  
LEONARD MAXWELL-NEUBOLD  
FIBERDIG TEAM  
FIBERDIG TEAM  
OCTAVIO VIDAL  
CHRIS BEAUDRY  
TROY GAETA  
CAROLYN LEACH  
JOSEPH E. SANCHEZ  
MARIO ESCALONA  
MARIO ESCALONA  
DANNY HASKETT  
WALTER SANCHO DAVILA  
NETWORK RELATIONS  
DEAN BOYERS  
SERGIO GARCIA  
MARK CALDWELL  
YVONNE GOLDMAN  
LARRY DOUGHTY

TELEPHONE  
(561) 757 - 1442  
(954) 752 - 7244 x230  
(480) 596 - 4595  
(770) 918 - 5424  
(954) 723 - 2540  
(954) 468 - 0142  
(954) 847 - 2745  
(954) 831 - 0916  
(832) 541 - 3946  
(303) 992 - 9931  
(954) 924 - 3740  
(954) 924 - 3740  
(954) 924 - 3740  
(954) 828 - 7830  
(954) 457 - 3042  
(561) 314 - 4445  
(561) 791 - 9280  
(954) 572 - 2299  
(954) 572 - 2299  
(954) 447 - 8405  
FIBERDIG TEAM(TBD)  
(408) 954 - 1580 x448  
(305) 412 - 0891 x201  
(954) 847 - 1996  
(678) 824 - 6630  
(954) 847 - 2690  
(407) 838 - 7171  
(305) 219 - 9143  
(305) 219 - 9143  
(305) 552 - 2931  
(954) 417 - 3606  
(877) 366 - 8344 x2  
(972) 729 - 6322  
(786) 268 - 5320  
(321) 287 - 9942  
(954) 453 - 0824  
(954) 327 - 3744

5. CONSTRUCT ALL BUS LANDING PADS AND BUS SHELTER PADS WITH A 1.5% CROSS SLOPE.
6. BUS SHELTERS AND AMENITIES ARE ALL PROPRIETARY PRODUCTS. CONTRACTOR MUST ORDER CITY SPECIFIED PRODUCTS. SEE SUMMARY OF QUANTITIES FOR SPECIFIC ORDERING INFORMATION.

REVISIONS				JEANNELIA LIU, P.E. P.E. LICENSE NUMBER 57565 CALTRAN ENGINEERING GROUP, INC. 790 NW 107 AVENUE, SUITE 200 MIAMI, FLORIDA, 33172 CERTIFICATE OF AUTHORIZATION 29379	STATE OF FLORIDA DEPARTMENT OF TRANSPORTATION			GENERAL NOTES	SHEET NO.
DATE	DESCRIPTION	DATE	DESCRIPTION		ROAD NO.	COUNTY	FINANCIAL PROJECT ID		
					SR 5	BROWARD	429575-2-52-01		9

THE OFFICIAL RECORD OF THIS SHEET IS THE ELECTRONIC FILE DIGITALLY SIGNED AND SEALED UNDER RULE 61G15-23.004, F.A.C.



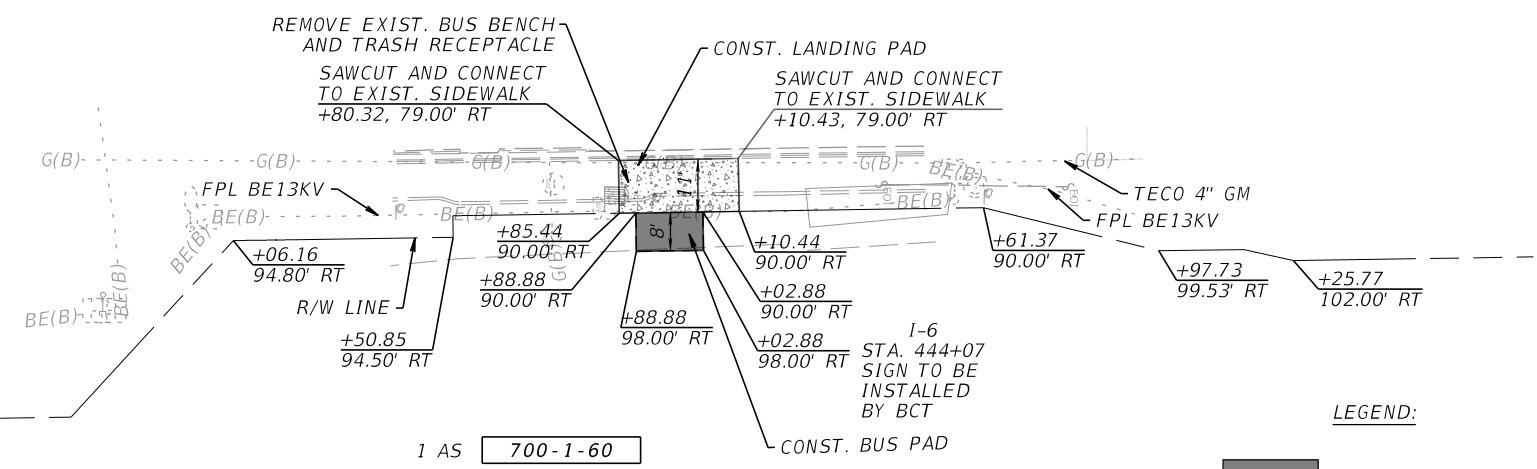
SE 9 STREET

SE 8 STREET

R/W LINE

441 442 443 444 445 446 N 1° 49' 52" W

US 1/SR 5/N FEDERAL HWY



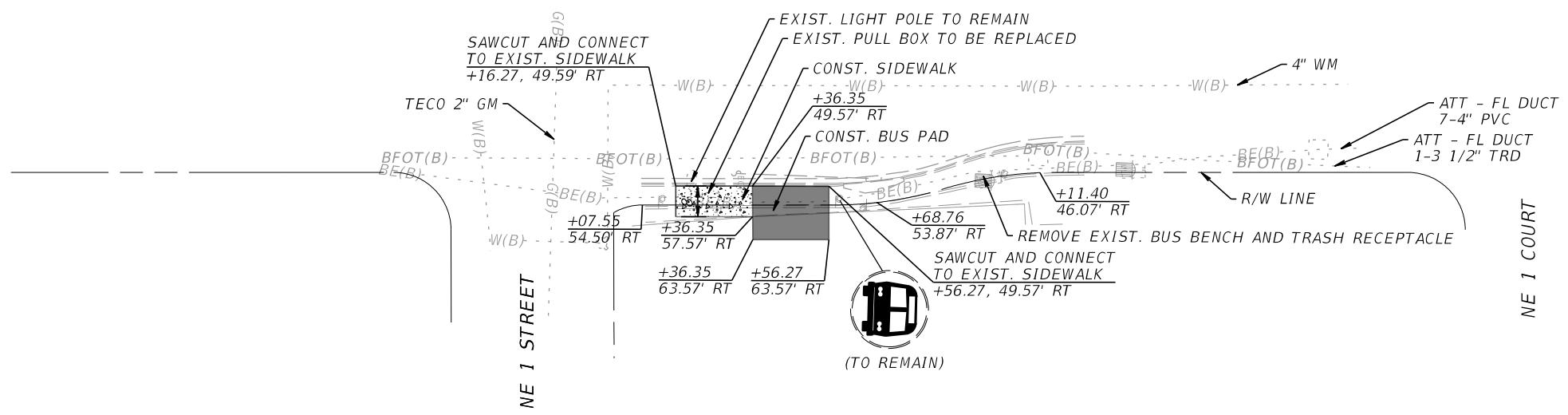
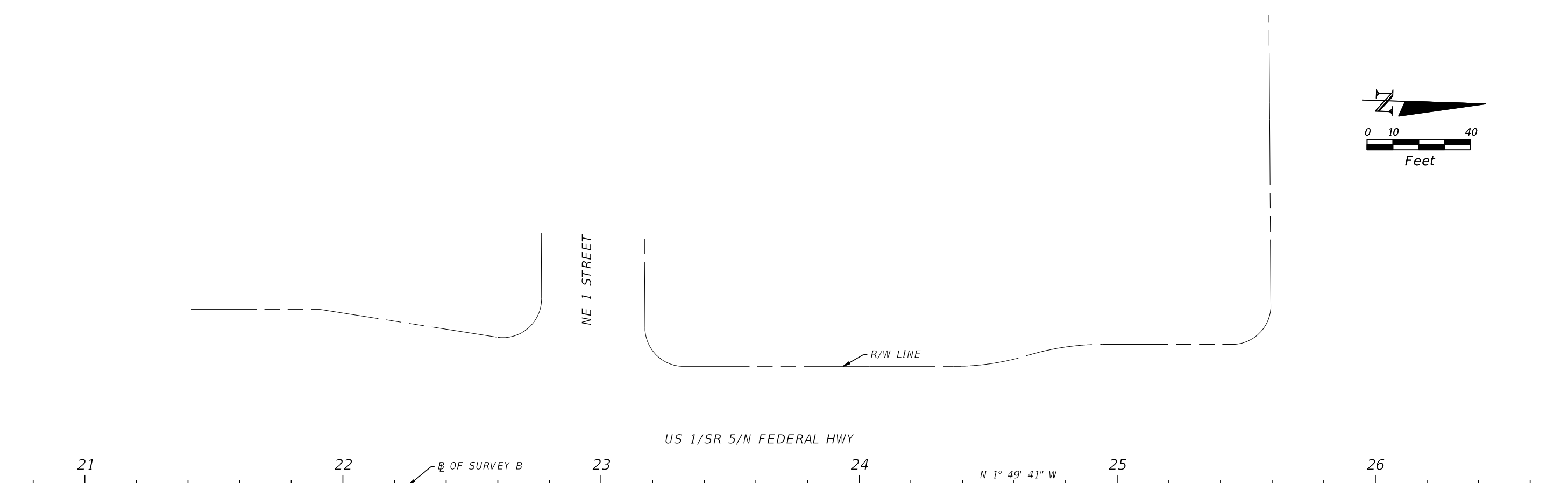
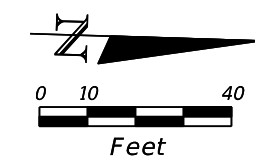
LEGEND:

- 12" CONCRETE SLAB AND EASEMENT AREA.
- 6" CONC. SIDEWALK (TYP.)

NOTE: PROP. BUS SHELTER IS WITHIN THE BUS SHELTER EASEMENT AREA

REVISIONS				JEANNELIA LIU, P.E. P.E. LICENSE NUMBER 57565 CALTRAN ENGINEERING GROUP, INC. 790 NW 107 AVENUE, SUITE 200 MIAMI, FLORIDA, 33172 CERTIFICATE OF AUTHORIZATION 29379	STATE OF FLORIDA DEPARTMENT OF TRANSPORTATION			ROADWAY PLAN	SHEET NO.
DATE	DESCRIPTION	DATE	DESCRIPTION		ROAD NO.	COUNTY	FINANCIAL PROJECT ID		10
					SR 5	BROWARD	429575-2-52-01		

THE OFFICIAL RECORD OF THIS SHEET IS THE ELECTRONIC FILE DIGITALLY SIGNED AND SEALED UNDER RULE 61G15-23.004, F.A.C.



**BUS SHELTER # 2**

**LEGEND:**

- 12" CONCRETE SLAB AND EASEMENT AREA
- 6" CONC. SIDEWALK (TYP.)

NOTE: PROP. BUS SHELTER IS WITHIN THE BUS SHELTER EASEMENT AREA

REVISIONS				JEANNELIA LIU, P.E. P.E. LICENSE NUMBER 57565 CALTRAN ENGINEERING GROUP, INC. 790 NW 107 AVENUE, SUITE 200 MIAMI, FLORIDA, 33172 CERTIFICATE OF AUTHORIZATION 29379	STATE OF FLORIDA DEPARTMENT OF TRANSPORTATION			ROADWAY PLAN	SHEET NO.
DATE	DESCRIPTION	DATE	DESCRIPTION		ROAD NO.	COUNTY	FINANCIAL PROJECT ID		11
					SR 5	BROWARD	429575-2-52-01		

THE OFFICIAL RECORD OF THIS SHEET IS THE ELECTRONIC FILE DIGITALLY SIGNED AND SEALED UNDER RULE 61G15-23.004, F.A.C.

INDEX OF SUMMARY OF QUANTITIES

PAY ITEM NOTES

SHEET NO.	SHEET DESCRIPTION
SQ-1	SUMMARY OF LUMP SUM ITEMS
SQ-2	SUMMARY OF GENERAL ITEMS
SQ-3	SUMMARY OF TRAFFIC CONTROL PLAN ITEMS AND PEDESTRIAN LONGITUDINAL CHANNELING DEVICE
SQ-4	BUS SHELTER AND AMENITIES - ORDERING INFORMATION
SQ-5	SUMMARY OF LITTER REMOVAL AND MOWING
SQ-6	SUMMARY OF CLEARING AND GRUBBING & REMOVAL ITEMS
SQ-7	SUMMARY OF EARTHWORK AND PAVEMENT
SQ-8	SUMMARY OF UTILITY ADJUSTMENTS AND CURB & GUTTER AND/OR TRAFFIC SEPARATORS
SQ-9	SUMMARY OF SIDEWALK & DETECTABLE WARNINGS
SQ-10	SUMMARY OF PERFORMANCE TURF AND SIGNING & PAVEMENT MARKINGS TABULATION OF QUANTITIES
SQ-11	SIGNING & PAVEMENT MARKINGS TABULATION OF QUANTITIES
SQ-11	LIGHTING TABULATION OF QUANTITIES

1.	110-1	INCLUDES THE COST OF TREE REMOVAL AND TREE GRATES PAY ITEM ALSO INCLUDES COORDINATION AND TRANSPORTATION OF TREE GRATES WITH THE RESPECTIVE MAINTAINING AGENCY.
2.	110-1-1	INCLUDES REMOVAL OF BUS STOP SIGNS, BENCHES AND TRASH RECEPTACLES.
3.	520-1-10	INCLUDES COST OF CURB BASE.
4.	522-4	SEE MANUFACTURER SPECIFICATION FOR 12' REINFORCED CONCRETE BUS SHELTER PAD CORRESPONDING TO THE BUS SHELTER TYPE FOR EACH LOCATION.
5.	751-35-11 751-35-12	SEE ORDERING INFORMATION AFTER THE SUMMARY OF GENERAL ITEMS TABLE FOR SPECIFIC BUS SHELTERS. PAY ITEM ALSO INCLUDES COORDINATION OF TRANSPORTATION AND DELIVERING EXISTING BUS STOP AND ITS COMPONENTS WITH THE RESPECTIVE MAINTAINING AGENCY. PAY ITEM ALSO INCLUDES THE INSTALLATION OFF ALL ELECTRICAL ROUNDING ELEMENTS AND PULL BOX FOR EACH BUS SHELTER.
6.	751-37	SEE ORDERING INFORMATION AFTER THE SUMMARY OF GENERAL ITEMS TABLE FOR SPECIFIC TRASH RECEPTACLE FOR EACH LOCATION.
7.	751-38-11 751-38-14	SEE ORDERING INFORMATION AFTER THE SUMMARY OF GENERAL ITEMS TABLE FOR SPECIFIC BUS BENCH FOR EACH LOCATION.

SUMMARY OF LUMP SUM ITEMS					
PAY ITEM NO.	PAY ITEM DESCRIPTION	QUANTITY		DESIGN NOTES	CONSTRUCTION REMARKS
		P	F		
0101-1	MOBILIZATION	1			

REVISIONS				JEANNELIA LIU, P.E. P.E. LICENSE NUMBER 57565 CALTRAN ENGINEERING GROUP, INC. 790 NW 107 AVENUE, SUITE 200 MIAMI, FLORIDA, 33172 CERTIFICATE OF AUTHORIZATION 29379	STATE OF FLORIDA DEPARTMENT OF TRANSPORTATION			SUMMARY OF QUANTITIES	SHEET NO.
DATE	DESCRIPTION	DATE	DESCRIPTION		ROAD NO.	COUNTY	FINANCIAL PROJECT ID		
					SR 5	BROWARD	429575-2-52-01		

THE OFFICIAL RECORD OF THIS SHEET IS THE ELECTRONIC FILE DIGITALLY SIGNED AND SEALED UNDER RULE 61G15-23.004, F.A.C.

**SUMMARY OF GENERAL ITEMS**

PAY ITEM NO.	PAY ITEM DESCRIPTION	LOCATION	SIDE	UNIT	QUANTITY		TOTAL		DESIGN NOTES	CONSTRUCTION REMARKS
		STA. TO STA.			P	F	P	F		
0751 35 11	BUS SHELTER, F&I, UP TO 50 SF							1		
		220+57.77 TO 220+82.83	RT	EA	1				BL D / BUS SHELTER 7	
0751 35 12	ARCHITECTURAL, BUS SHELTER, F&I, 50-100 SF							20		
		443+88.88 TO 444+02.88	RT	EA	1				BL A / BUS SHELTER 1	
		23+36.29 TO 23+59.29	RT	EA	1				BL B / BUS SHELTER 2	
		44+95.82 TO 45+20.82	LT	EA	1				BL B / BUS SHELTER 3	
		115+96.78 TO 116+67.09	LT	EA	3				BL C / BUS SHELTER 4	
		5+46.02 TO 6+34.83	LT	EA	3				BL C / BUS SHELTER 5	
		177+53.89 TO 177+78.89	RT	EA	1				BL C / BUS SHELTER 6	
		226+61.81 TO 226+86.81	LT	EA	1				BL D / BUS SHELTER 8	
		247+47.02 TO 247+72.02	LT	EA	1				BL D / BUS SHELTER 9	
		248+80.08 TO 249+20.08	RT	EA	1				BL D / BUS SHELTER 10	
		266+49.86 TO 266+89.81	RT	EA	1				BL D / BUS SHELTER 11	
		288+92.10 TO 289+32.08	RT	EA	1				BL D / BUS SHELTER 12	
		295+29.09 TO 295+54.09	RT	EA	1				BL D / BUS SHELTER 13	
		428+67.25 TO 429+05.05	RT	EA	1				BL E / BUS SHELTER 14	
		131+18.15 TO 132+43.18	LT	EA	1				BL E / BUS SHELTER 15	
		134+82.00 TO 135+20.00	RT	EA	1				BL E / BUS SHELTER 16	
		145+11.44 TO 145+36.44	RT	EA	1				BL D / BUS SHELTER 17	
0751 37	TRASH RECEPTACLE							14		
		116+34.44	LT	EA	1				BL C / BUS SHELTER 4	
		5+90.50	LT	EA	1				BL C / BUS SHELTER 5	
		177+66.39	RT	EA	1				BL C / BUS SHELTER 6	
		220+70.61	RT	EA	1				BL D / BUS SHELTER 7	
		226+74.31	LT	EA	1				BL D / BUS SHELTER 8	
		247.59.50	LT	EA	1				BL D / BUS SHELTER 9	
		249+00.08	RT	EA	1				BL D / BUS SHELTER 10	
		266+69.80	RT	EA	1				BL D / BUS SHELTER 11	
		289+12.09	RT	EA	1				BL D / BUS SHELTER 12	
		295+41.59	RT	EA	1				BL D / BUS SHELTER 13	
		428+86.15	RT	EA	1				BL E / BUS SHELTER 14	
		131+30.68	LT	EA	1				BL E / BUS SHELTER 15	
		135+02.00	RT	EA	1				BL E / BUS SHELTER 16	
		145+23.94	RT	EA	1				BL E / BUS SHELTER 17	
0751 38 11	BENCH, F&I, ALUMINUM							14		
		443+95.88	RT	EA	1				BL A / BUS SHELTER 1	
		23+46.28	RT	EA	1				BL B / BUS SHELTER 2	
		45+08.35	LT	EA	1				BL B / BUS SHELTER 3	
		220+70.61	RT	EA	1				BL D / BUS SHELTER 7	
		226+74.31	LT	EA	1				BL D / BUS SHELTER 8	
		247.59.50	LT	EA	1				BL D / BUS SHELTER 9	
		249+00.08	RT	EA	1				BL D / BUS SHELTER 10	
		266+69.80	RT	EA	1				BL D / BUS SHELTER 11	
		289+12.09	RT	EA	1				BL D / BUS SHELTER 12	
		295+41.59	RT	EA	1				BL D / BUS SHELTER 13	
		428+86.15	RT	EA	1				BL E / BUS SHELTER 14	
		131+30.68	LT	EA	1				BL E / BUS SHELTER 15	
		135+02.00	RT	EA	1				BL E / BUS SHELTER 16	
		145+23.94	RT	EA	1				BL E / BUS SHELTER 17	
0751 38 14	BENCH, F&I, STEEL							3		
		116+34.44	LT	EA	1				BL C / BUS SHELTER 4	
		5+90.50	LT	EA	1				BL C / BUS SHELTER 5	
		177+66.39	RT	EA	1				BL C / BUS SHELTER 6	

<p align="center"><b>REVISIONS</b></p> <table border="1"> <thead> <tr> <th>DATE</th> <th>DESCRIPTION</th> <th>DATE</th> <th>DESCRIPTION</th> </tr> </thead> <tbody> <tr> <td> </td> <td> </td> <td> </td> <td> </td> </tr> </tbody> </table>				DATE	DESCRIPTION	DATE	DESCRIPTION					JEANNELIA LIU, P.E. P.E. LICENSE NUMBER 57565 CALTRAN ENGINEERING GROUP, INC. 790 NW 107 AVENUE, SUITE 200 MIAMI, FLORIDA, 33172 CERTIFICATE OF AUTHORIZATION 29379	<p align="center"><b>STATE OF FLORIDA</b> <b>DEPARTMENT OF TRANSPORTATION</b></p> <table border="1"> <thead> <tr> <th>ROAD NO.</th> <th>COUNTY</th> <th>FINANCIAL PROJECT ID</th> </tr> </thead> <tbody> <tr> <td>SR 5</td> <td>BROWARD</td> <td>429575-2-52-01</td> </tr> </tbody> </table>	ROAD NO.	COUNTY	FINANCIAL PROJECT ID	SR 5	BROWARD	429575-2-52-01	<p align="center"><b>SUMMARY OF QUANTITIES</b></p>	SHEET NO.  SQ-2
DATE	DESCRIPTION	DATE	DESCRIPTION																		
ROAD NO.	COUNTY	FINANCIAL PROJECT ID																			
SR 5	BROWARD	429575-2-52-01																			

THE OFFICIAL RECORD OF THIS SHEET IS THE ELECTRONIC FILE DIGITALLY SIGNED AND SEALED UNDER RULE 61G15-23.004, F.A.C.



**BUS SHELTERS AND AMENITIES - ORDERING INFORMATION**

BUS SHELTER #	STATION LOCATION	DESCRIPTION	MODEL	COLOR	MANUFACTURER	PRODUCT SPECIFICATION NUMBER
1	443+95.88	5' BUS SHELTER	ECLIPSE - ARCHED	SILVER	BRASCO INT.	EC0512-AR-AL-125
	443+95.88	BUS BENCH	ECLIPSE BENCH	SILVER	BRASCO INT.	EC-BE-6-2S
2	23+46.28	5' BUS SHELTER	ECLIPSE - ARCHED	SILVER	BRASCO INT.	EC0512-AR-AL-125
	23+46.28	BUS BENCH	ECLIPSE BENCH	SILVER	BRASCO INT.	EC-BE-6-2S
3	45+08.35	5' BUS SHELTER	ECLIPSE - ARCHED	SILVER	BRASCO INT.	EC0512-AR-AL-125
	45+08.35	BUS BENCH	ECLIPSE BENCH	SILVER	BRASCO INT.	EC-BE-6-2S
4	116+34.44	7' BUS SHELTER	KALEIDOSCOPE	BLACK	LANDSCAPE FORMS	G090742CD
	116+34.44	BUS BENCH	PRESIDIO BENCH	BLACK	LANDSCAPE FORMS	
	116+34.44	TRASH RECEPTACLE	CHASE PARK LITTER RECEPTABLE	BLACK	LANDSCAPE FORMS	
	116+34.44	SHELTER WALL	WIND WALL	BLACK	LANDSCAPE FORMS	
5	5+90.50	7' BUS SHELTER	KALEIDOSCOPE	BLACK	LANDSCAPE FORMS	G090742CD
	5+90.50	BUS BENCH	PRESIDIO BENCH	BLACK	LANDSCAPE FORMS	
	5+90.50	TRASH RECEPTACLE	CHASE PARK LITTER RECEPTABLE	BLACK	LANDSCAPE FORMS	
	5+90.50	SHELTER WALL	WIND WALL	BLACK	LANDSCAPE FORMS	
6	177+66.39	5' BUS SHELTER	KALEIDOSCOPE	BLACK	LANDSCAPE FORMS	G090742CD
	177+66.39	BUS BENCH	PRESIDIO BENCH	BLACK	LANDSCAPE FORMS	
	177+66.39	TRASH RECEPTACLE	CHASE PARK LITTER RECEPTABLE	BLACK	LANDSCAPE FORMS	
	177+66.39	SHELTER WALL	WIND WALL	BLACK	LANDSCAPE FORMS	
7	220+70.61	4.25' BUS SHELTER	SLIMLINE STYLE - DUTCH HIP ROOF	RED AND DARK BRONZE	BRASCO INT.	SERIES #SL-01-12-OF-F14-GC-DH-6
	220+70.61	BUS BENCH	BLACK HDPE BENCH WITH BACKREST	DARK BRONZE	BRASCO INT.	
	220+70.61	TRASH RECEPTACLE	STREETSCAPE 35G		BRASCO INT.	
8	226+74.31	4.75' BUS SHELTER	SLIMLINE STYLE - DUTCH HIP ROOF	RED AND DARK BRONZE	BRASCO INT.	SERIES #SL512-OF
	226+74.31	BUS BENCH	BLACK HDPE BENCH WITH BACKREST	DARK BRONZE	BRASCO INT.	
	226+74.31	TRASH RECEPTACLE	STREETSCAPE 35G	DARK BRONZE	BRASCO INT.	
9	247.59.50	4.75' BUS SHELTER	SLIMLINE STYLE - DUTCH HIP ROOF	RED AND DARK BRONZE	BRASCO INT.	SERIES #SL512-OF
	247.59.50	BUS BENCH	BLACK HDPE BENCH WITH BACKREST	DARK BRONZE	BRASCO INT.	
	247.59.50	TRASH RECEPTACLE	STREETSCAPE 35G	DARK BRONZE	BRASCO INT.	
10	249+00.08	4.75' BUS SHELTER	SLIMLINE STYLE - DUTCH HIP ROOF	RED AND DARK BRONZE	BRASCO INT.	SERIES #SL512-OF
	249+00.08	BUS BENCH	BLACK HDPE BENCH WITH BACKREST	DARK BRONZE	BRASCO INT.	
	249+00.08	TRASH RECEPTACLE	STREETSCAPE 35G	DARK BRONZE	BRASCO INT.	
11	266+69.80	4.75' BUS SHELTER	SLIMLINE STYLE - DUTCH HIP ROOF	RED AND DARK BRONZE	BRASCO INT.	SERIES #SL512-OF
	266+69.80	BUS BENCH	BLACK HDPE BENCH WITH BACKREST	DARK BRONZE	BRASCO INT.	
	266+69.80	TRASH RECEPTACLE	STREETSCAPE 35G	DARK BRONZE	BRASCO INT.	
12	289+12.09	4.75' BUS SHELTER	SLIMLINE STYLE - DUTCH HIP ROOF	RED AND DARK BRONZE	BRASCO INT.	SERIES #SL512-OF
	289+12.09	BUS BENCH	BLACK HDPE BENCH WITH BACKREST	DARK BRONZE	BRASCO INT.	
	289+12.09	TRASH RECEPTACLE	STREETSCAPE 35G	DARK BRONZE	BRASCO INT.	
13	295+41.59	4.75' BUS SHELTER	SLIMLINE STYLE - DUTCH HIP ROOF	RED AND DARK BRONZE	BRASCO INT.	SERIES #SL512-OF
	295+41.59	BUS BENCH	BLACK HDPE BENCH WITH BACKREST	DARK BRONZE	BRASCO INT.	
	295+41.59	TRASH RECEPTACLE	STREETSCAPE 35G	DARK BRONZE	BRASCO INT.	
14	428+86.15	7' BUS SHELTER	INTERLUDE	GRAY	BRASCO INT.	
	428+86.15	BUS BENCH	INTERLUDE BENCH	GRAY	BRASCO INT.	
	428+86.15	TRASH RECEPTACLE	STREETSCAPE 35G	GRAY	BRASCO INT.	
15	131+30.68	5' BUS SHELTER	INTERLUDE	GRAY	BRASCO INT.	
	131+30.68	BUS BENCH	INTERLUDE BENCH	GRAY	BRASCO INT.	
	131+30.68	TRASH RECEPTACLE	STREETSCAPE 35G	GRAY	BRASCO INT.	
16	135+02.00	5' BUS SHELTER	INTERLUDE	GRAY	BRASCO INT.	
	135+02.00	BUS BENCH	INTERLUDE BENCH	GRAY	BRASCO INT.	
	135+02.00	TRASH RECEPTACLE	STREETSCAPE 35G	GRAY	BRASCO INT.	
17	145+23.94	5' BUS SHELTER	INTERLUDE	GRAY	BRASCO INT.	
	145+23.94	BUS BENCH	INTERLUDE BENCH	GRAY	BRASCO INT.	
	145+23.94	TRASH RECEPTACLE	STREETSCAPE 35G	GRAY	BRASCO INT.	

REVISIONS				JEANNELIA LIU, P.E. P.E. LICENSE NUMBER 57565 CALTRAN ENGINEERING GROUP, INC. 790 NW 107 AVENUE, SUITE 200 MIAMI, FLORIDA, 33172 CERTIFICATE OF AUTHORIZATION 29379	STATE OF FLORIDA DEPARTMENT OF TRANSPORTATION			SHEET NO.  SQ-4
DATE	DESCRIPTION	DATE	DESCRIPTION		ROAD NO.	COUNTY	FINANCIAL PROJECT ID	
					SR 5	BROWARD	429575-2-52-01	

**SUMMARY OF QUANTITIES**

THE OFFICIAL RECORD OF THIS SHEET IS THE ELECTRONIC FILE DIGITALLY SIGNED AND SEALED UNDER RULE 61G15-23.004, F.A.C.



**SUMMARY OF CLEARING AND GRUBBING & REMOVAL ITEMS**

PAY ITEM NO.	PAY ITEM DESCRIPTION	LOCATION STA. TO STA.	SIDE	AREA ID	LENGTH	WIDTH	UNITS	SECONDARY UNITS (IF LUMP SUM)	QUANTITY		TOTAL		DESIGN NOTES	CONSTRUCTION REMARKS
								AREA (AC)	P	F	P	F		
0110 1 1	CLEARING AND GRUBBING	443+80.32 TO 444+05.32	RT	19786			LS	0.010			1		TOTAL AREA: 0.336 AC	BUS SHELTER 1
		23+16.27 TO 23+56.27	RT	14987				0.010					BL B / BUS SHELTER 2	
		44+95.85 TO 45+20.82	LT	20301				0.004					BL B / BUS SHELTER 3	
		115+59.46 TO 116+96.71	LT	15062				0.040					BL C / BUS SHELTER 4	
		116+66.36 TO 116+81.19	LT	14832				0.020						
		117+11.34 TO 117+12.23	LT	14823				0.001						
		5+04.83 TO 6+91.88	LT	14856				0.051					BL C / BUS SHELTER 5	
		6+46.63 TO 6+90.932	LT	15086				0.013						
		177+53.89 TO 177+78.89	RT	15096				0.005					BL C / BUS SHELTER 6	
		220+57.83 TO 220+89.44	RT	15442				0.010					BL D / BUS SHELTER 7	
		226+34.80 TO 227+78.35	LT	15124				0.050					BL D / BUS SHELTER 8	
		247+47.01 TO 247+72.01	LT	15125				0.005					BL D / BUS SHELTER 9	
		248+90.07 TO 249+20.08	RT	15126				0.008					BL D / BUS SHELTER 10	
		266+49.81 TO 266+79.81	RT	14882				0.008					BL D / BUS SHELTER 11	
		288+83.53 TO 289+32.09	RT	14921				0.010					BL D / BUS SHELTER 12	
		293+44.91 TO 293+77.37	LT	15456				0.010					BL D / BUS SHELTER 13	
		293+46.38 TO 293+77.61	RT	15444				0.011						
		294+18.16 TO 294+43.72	LT	15144				0.008						
		294+28.74 TO 294.49.74	RT	15467				0.005						
		428+58.11 TO 429+14.39	RT	15438				0.026					BL E / BUS SHELTER 14	
		131+18.18 TO 131+44.24	LT	15440				0.004					BL E / BUS SHELTER 15	
		131+64.11 TO 132+44.24	LT	15439				0.023						
		134+82.00 TO 135+20.00	RT	15441				0.006					BL E / BUS SHELTER 16	
		145+11.44 TO 145+36.44	RT	20089				0.004					BL E / BUS SHELTER 17	
0110 4 10	REMOVAL OF EXISTING CONCRETE	443+80.32 TO 444+05.32	RT	14807			SY		19		980		BL A / BUS SHELTER 1	
		23+16.27 TO 23+56.27	RT	14816					23				BL B / BUS SHELTER 2	
		44+95.85 TO 45+20.82	LT	20301					21				BL B / BUS SHELTER 3	
		115+59.46 TO 116+96.71	LT	24766					44				BL C / BUS SHELTER 4	
		116+66.36 TO 116+81.19	LT	14832					9					
		117+11.34 TO 117+12.23	LT	14823					3					
		5+04.83 TO 6+91.88	LT	14856					245				BL C / BUS SHELTER 5	
		177+53.89 TO 177+78.89	RT	14867					14				BL C / BUS SHELTER 6	
		220+57.83 TO 220+89.44	RT	14873					17				BL D / BUS SHELTER 7	
		226+34.80 TO 227+78.35	LT	14880					115				BL D / BUS SHELTER 8	
		247+47.01 TO 247+72.01	LT	14655					24				BL D / BUS SHELTER 9	
		248+90.07 TO 249+20.08	RT	20332					37				BL D / BUS SHELTER 10	
		266+49.81 TO 266+79.81	RT	14882					22				BL D / BUS SHELTER 11	
		288+83.53 TO 289+32.09	RT	14887					19				BL D / BUS SHELTER 12	
		293+44.91 TO 293+77.37	LT	14921					39				BL D / BUS SHELTER 13	
		293+46.38 TO 293+77.61	RT	14891					45					
		294+18.16 TO 294+43.72	LT	14909					25					
		294+28.74 TO 294.49.74	RT	14902					19					
		428+58.11 TO 429+14.39	RT	24797					127				BL E / BUS SHELTER 14	
		131+18.18 TO 131+44.24	LT	14922					19				BL E / BUS SHELTER 15	
		131+64.11 TO 132+44.24	LT	14928					54					
		134+82.00 TO 135+20.00	RT	14934					21				BL E / BUS SHELTER 16	
		145+11.44 TO 145+36.44	RT	20089					19				BL E / BUS SHELTER 17	

<p align="center"><b>REVISIONS</b></p> <table border="1"> <thead> <tr> <th>DATE</th> <th>DESCRIPTION</th> <th>DATE</th> <th>DESCRIPTION</th> </tr> </thead> <tbody> <tr> <td> </td> <td> </td> <td> </td> <td> </td> </tr> </tbody> </table>				DATE	DESCRIPTION	DATE	DESCRIPTION					JEANNELIA LIU, P.E. P.E. LICENSE NUMBER 57565 CALTRAN ENGINEERING GROUP, INC. 790 NW 107 AVENUE, SUITE 200 MIAMI, FLORIDA, 33172 CERTIFICATE OF AUTHORIZATION 29379			<p align="center"><b>STATE OF FLORIDA</b>  <b>DEPARTMENT OF TRANSPORTATION</b></p> <table border="1"> <thead> <tr> <th>ROAD NO.</th> <th>COUNTY</th> <th>FINANCIAL PROJECT ID</th> </tr> </thead> <tbody> <tr> <td>SR 5</td> <td>BROWARD</td> <td>429575-2-52-01</td> </tr> </tbody> </table>			ROAD NO.	COUNTY	FINANCIAL PROJECT ID	SR 5	BROWARD	429575-2-52-01	<p align="center"><b>SUMMARY OF QUANTITIES</b></p>		SHEET NO. SQ-6
DATE	DESCRIPTION	DATE	DESCRIPTION																							
ROAD NO.	COUNTY	FINANCIAL PROJECT ID																								
SR 5	BROWARD	429575-2-52-01																								

THE OFFICIAL RECORD OF THIS SHEET IS THE ELECTRONIC FILE DIGITALLY SIGNED AND SEALED UNDER RULE 61G15-23.004, F.A.C.

**SUMMARY OF UTILITY ADJUSTMENTS**

PAY ITEM NO.	PAY ITEM DESCRIPTION	LOCATION STATION	SIDE	UNIT	QUANTITY		TOTAL		DESIGN NOTES	CONSTRUCTION REMARKS	
					P	F	P	F			
425 6	WATER VALVE ADJUSTMENTS	6+40.39	RT		1.0		6		BL C / BUS SHELTER 5		
		7+02.77	LT		1.0				BL C / BUS SHELTER 5		
		226+50.07	LT		1.0				BL D / BUS SHELTER 8		
		293+72.65	LT		1.0				BL D / BUS SHELTER 13		
		293+78.14	RT		1.0				BL D		
		293+78.49	LT		1.0				BL D		
	WATER METER ADJUSTMENTS	6+84.17	LT		1.0		2		BL C / BUS SHELTER 5		
		293+76.01	RT		1.0				BL D / BUS SHELTER 13		
425 5	MANHOLE ADJUST	3+97.78	LT		1.0		1		CL HARRISON ST / BUS SHELTER 5		
		6+46.26	LT		1.0		1		CL HARRISON ST / BUS SHELTER 5		
	FIRE HYDRANT ADJUSTMENT	226+49.34	LT		1.0		2		BL D		
		294+26.32	LT		1.0				BL D		
0635 2 11	PULL & SPLICE BOX, F&I, 13" x 24" COVER SIZE	23+28.89	RT		1.0		7		BL B / BUS SHELTER 2		
		116+10.40	LT		1.0				BL C / BUS SHELTER 4		
		5+42.66	LT		1.0				CL HARRISON ST / BUS SHELTER 5		
		5+90.99	LT		1.0				CL HARRISON ST / BUS SHELTER 5		
		6+38.71	LT		1.0				CL HARRISON ST / BUS SHELTER 5		
		6+84.00	LT		1.0				CL HARRISON ST / BUS SHELTER 5		
		249+17.66	RT		1.0				BL D / BUS SHELTER 10		
		293+60.14	LT		1.0				BL D / BUS SHELTER 13		

**SUMMARY OF CURB & GUTTER AND/OR TRAFFIC SEPARATORS**

PAY ITEM NO.	PAY ITEM DESCRIPTION	LOCATION STA. TO STA.	SIDE	AREA ID	UNIT	QUANTITY				TOTAL		DESIGN NOTES	CONSTRUCTION REMARKS	
						GROSS LENGTH	DEDUCTIONS		NET LENGTH		P			F
							TYPE	LENGTH	P	F				
0520 1 10	CONCRETE CURB & GUTTER, TYPE F	5+04.83 TO 7+04.95	LT		LF	205.6			205.6	896		BL C / BUS SHELTER 5		
		115+59.58 TO 116+96.81	LT			154.5			154.5			BL C / BUS SHELTER 4		
		115+99.32 TO 116+96.81	LT			134.3			134.3					
		116+66.36 TO 116+81.19	LT			18.0			18.0					
		117+09.78 TO 117+10.83	LT			9.5			9.5					
		226+34.80 TO 227+78.35	LT			160.0			160.0			BL D / BUS SHELTER 8		
		293+44.91 TO 293+78.73	LT			42.9			42.9			BL D / BUS SHELTER 13		
		293+46.38 TO 293+80.55	RT			33.0			33.0					
		294+16.79 TO 294+43.72	LT			36.1			36.1					
		294+28.78 TO 294+49.78	RT			21.0			21.0					
0520 2 4	CONCRETE CURB, TYPE D	131+64.19 TO 132+44.31	LT			81.1			81.1			BL E / BUS SHELTER 15		
		5+13.15 TO 5+81.82	LT			144.9			144.9	309		BL C / BUS SHELTER 5		
		6+27.73 TO 6+79.36	LT			163.9			163.9					

<p align="center"><b>REVISIONS</b></p> <table border="1"> <thead> <tr> <th>DATE</th> <th>DESCRIPTION</th> <th>DATE</th> <th>DESCRIPTION</th> </tr> </thead> <tbody> <tr> <td> </td> <td> </td> <td> </td> <td> </td> </tr> </tbody> </table>				DATE	DESCRIPTION	DATE	DESCRIPTION					JEANNELIA LIU, P.E. P.E. LICENSE NUMBER 57565 CALTRAN ENGINEERING GROUP, INC. 790 NW 107 AVENUE, SUITE 200 MIAMI, FLORIDA, 33172 CERTIFICATE OF AUTHORIZATION 29379			<p align="center"><b>STATE OF FLORIDA</b>  <b>DEPARTMENT OF TRANSPORTATION</b></p> <table border="1"> <thead> <tr> <th>ROAD NO.</th> <th>COUNTY</th> <th>FINANCIAL PROJECT ID</th> </tr> </thead> <tbody> <tr> <td>SR 5</td> <td>BROWARD</td> <td>429575-2-52-01</td> </tr> </tbody> </table>			ROAD NO.	COUNTY	FINANCIAL PROJECT ID	SR 5	BROWARD	429575-2-52-01	<p align="center"><b>SUMMARY OF QUANTITIES</b></p>		SHEET NO. SQ-8
DATE	DESCRIPTION	DATE	DESCRIPTION																							
ROAD NO.	COUNTY	FINANCIAL PROJECT ID																								
SR 5	BROWARD	429575-2-52-01																								

THE OFFICIAL RECORD OF THIS SHEET IS THE ELECTRONIC FILE DIGITALLY SIGNED AND SEALED UNDER RULE 61G15-23.004, F.A.C.

**SUMMARY OF SIDEWALK & DETECTABLE WARNINGS**

LOCATION  STA. TO STA.	SIDE	AREA ID	LENGTH	WIDTH	CONCRETE SIDEWALK AND DRIVEWAYS, 6" THICK		BUS SHELTER PAD - CONCRETE		DETECTABLE WARNINGS		DESIGN NOTES	CONSTRUCTION REMARKS
					0522 2		0522 4		0527 2			
					SY		SY		SF			
P	F	P	F	P	F							
5+04.83 TO 5+46.08	LT	9109			49.1						BL C / BUS SHELTER 5	
5+14.65 TO 5+80.44	LT	9230			52.9							
6+29.10 TO 6+78.27	LT	9228			35.3							
6+34.83 TO 7+04.95	LT	9259			87.5							
23+16.27 TO 23+36.31	RT	9085			17.8						BL B / BUS SHELTER 2	
116+62.52 TO 116+94.83	LT	9134			32.3						BL C / BUS SHELTER 4	
116+66.36 TO 116+81.19	LT	9232			7.7							
117+14.06 TO 117+18.48	LT	24667			1.8							
226+36.81 TO 227+78.35	LT	9155			180.1						BL D / BUS SHELTER 8	
293+44.91 TO 293+77.37	LT	9215			36.7						BL D / BUS SHELTER 13	
293+46.38 TO 293+77.61	RT	9175			43.4							
294+18.16 TO 294+43.72	LT	9217			30.1							
294+28.78 TO 294+49.78	RT	9199			18.3							
443+80.34 TO 444+05.32	RT	9246			30.5						BL A / BUS SHELTER 1	
131+64.19 TO 132+44.31	LT	9210			51.7						BL E / BUS SHELTER 15	
5+46.02 TO 6+34.83	LT	9563					325.5				BL C / BUS SHELTER 5	
23+36.29 TO 23+56.29	RT	21175					93.0				BL B / BUS SHELTER 2	
44+95.82 TO 45+20.82	LT	21176					63.3				BL B / BUS SHELTER 3	
220+57.77 TO 220+82.83	RT	21277					73.5				BL D / BUS SHELTER 7	
226+61.81 TO 226+86.81	LT	21178					74.1				BL D / BUS SHELTER 8	
247+47.02 TO 247+72.02	LT	9480					71.1				BL D / BUS SHELTER 9	
248+80.08 TO 249+20.08	RT	21179					113.1				BL D / BUS SHELTER 10	
266+49.86 TO 266+89.81	RT	21180					112.2				BL D / BUS SHELTER 11	
288+92.10 TO 289+32.08	RT	21181					125.1				BL D / BUS SHELTER 12	
295+29.09 TO 295+54.09	RT	21182					71.4				BL D / BUS SHELTER 13	
428+67.25 TO 429+05.05	RT	23218					142.5				BL E / BUS SHELTER 14	
443+88.88 TO 444+02.88	RT	9340					37.2				BL A / BUS SHELTER 1	
115+96.21 TO 116+67.09	LT	9569					410.1				BL C / BUS SHELTER 4	
131+18.15 TO 132+43.18	LT	6498					113.7				BL E / BUS SHELTER 15	
134+82.00 TO 135+20.00	RT	24735					85.5				BL E / BUS SHELTER 16	
145+11.44 TO 145+36.44	RT	24741					56.4				BL E / BUS SHELTER 17	
177+53.89 TO 177+78.89	RT	21177					66.6				BL C / BUS SHELTER 6	
5+32.96 TO 5+38.34	LT	7687						10.8			BL C / BUS SHELTER 5	
5+33.64 TO 5+39.02	LT	7682						10.8				
6+41.81 TO 6+46.81	LT	7697						10.0				
6+41.81 TO 6+46.81	LT	7692						10.0				
6+97.25 TO 7+01.56	LT	7702						8.4				
226+37.31 TO 226+43.26	LT	7745						18.9			BL D / BUS SHELTER 8	
293+51.91 TO 293+55.91	LT	7750						8.0			BL D / BUS SHELTER 13	
293+53.38 TO 293+57.38	RT	7765						8.0				
293+75.53 TO 293+77.56	RT	7770						8.0				
294+18.19 TO 294+20.21	LT	7755						8.0				
294+32.72 TO 294+36.73	LT	7760						8.0				
294+34.76 TO 294+38.77	RT	7775						8.0				
116+65.00 TO 116+88.00	LT	7709						7.7			BL C / BUS SHELTER 4	
116+67.00 TO 116+88.90	LT	7723						10.6				
116+85.00 TO 116+90.00	LT	7732						8.0				
117+08.00 TO 117+10.00	LT	7716						8.6				
SUB-TOTAL:					675.2		2034.3		151.8			
TOTAL:					675		2034		152			

REVISIONS				JEANNELIA LIU, P.E. P.E. LICENSE NUMBER 57565 CALTRAN ENGINEERING GROUP, INC. 790 NW 107 AVENUE, SUITE 200 MIAMI, FLORIDA, 33172 CERTIFICATE OF AUTHORIZATION 29379	STATE OF FLORIDA DEPARTMENT OF TRANSPORTATION			<b>SUMMARY OF QUANTITIES</b>	SHEET NO.
DATE	DESCRIPTION	DATE	DESCRIPTION		ROAD NO.	COUNTY	FINANCIAL PROJECT ID		SQ-9
					SR 5	BROWARD	429575-2-52-01		

THE OFFICIAL RECORD OF THIS SHEET IS THE ELECTRONIC FILE DIGITALLY SIGNED AND SEALED UNDER RULE 61G15-23.004, F.A.C.